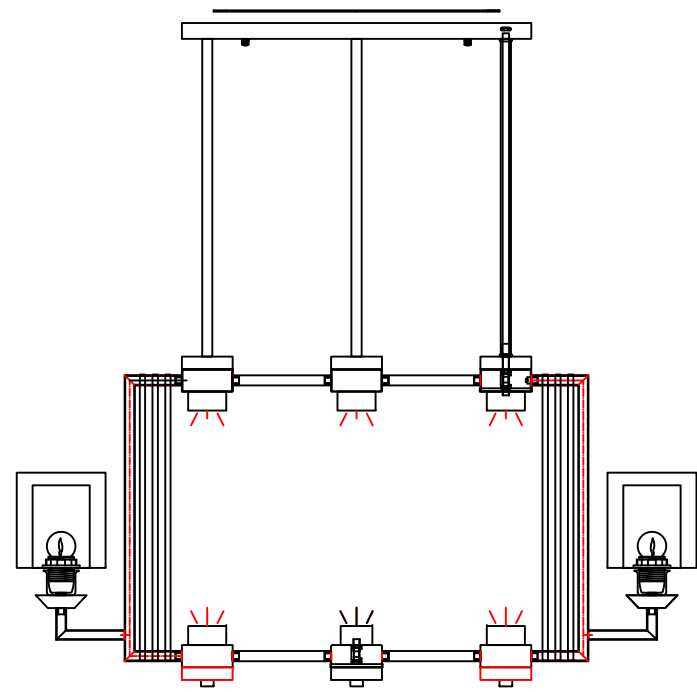
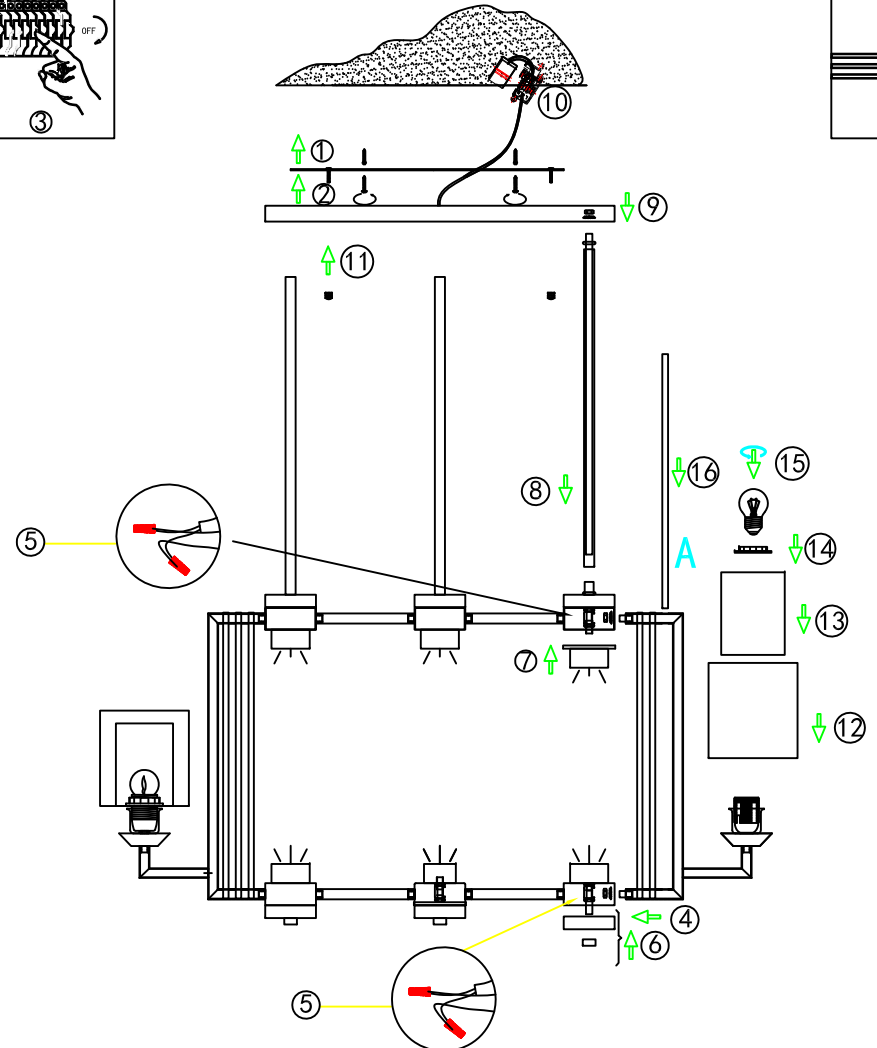
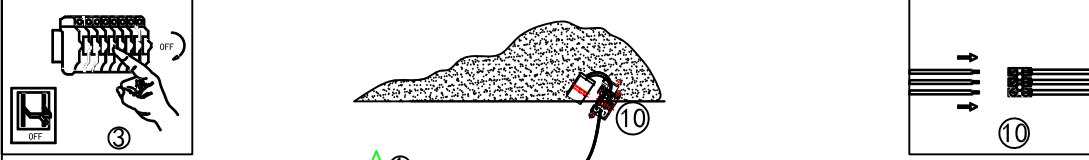


RM6201-8P CR+CL

RM6201-8P CR+CL



L1070*W600*H1045mm

1. please turn off the power supply before installation
2. please take gloves to assemble the light
3. inspecting if wire connetions are correct before turning on
4. please hang the light in dry place

Installation Pack	
White gloves	1PC
Hanging plate	1PC
Terminal cap	8PCS
Screw	4PCS
Expansion screws	4PCS

Crystal	
Glass:A	24PCS